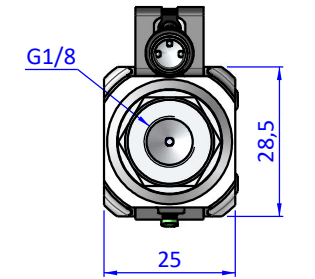
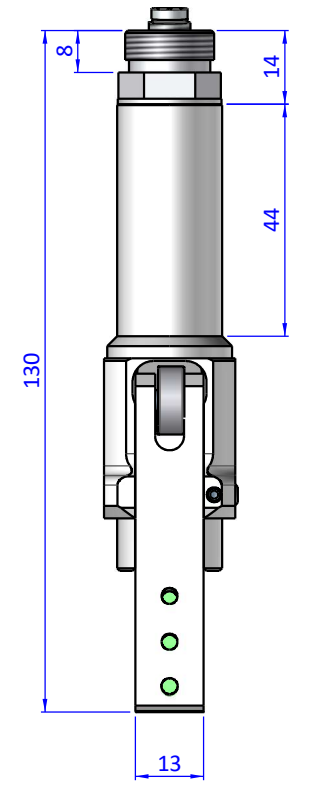
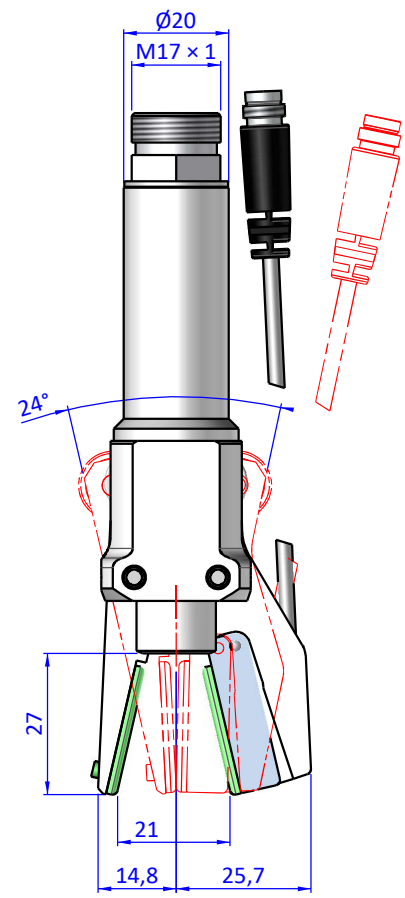
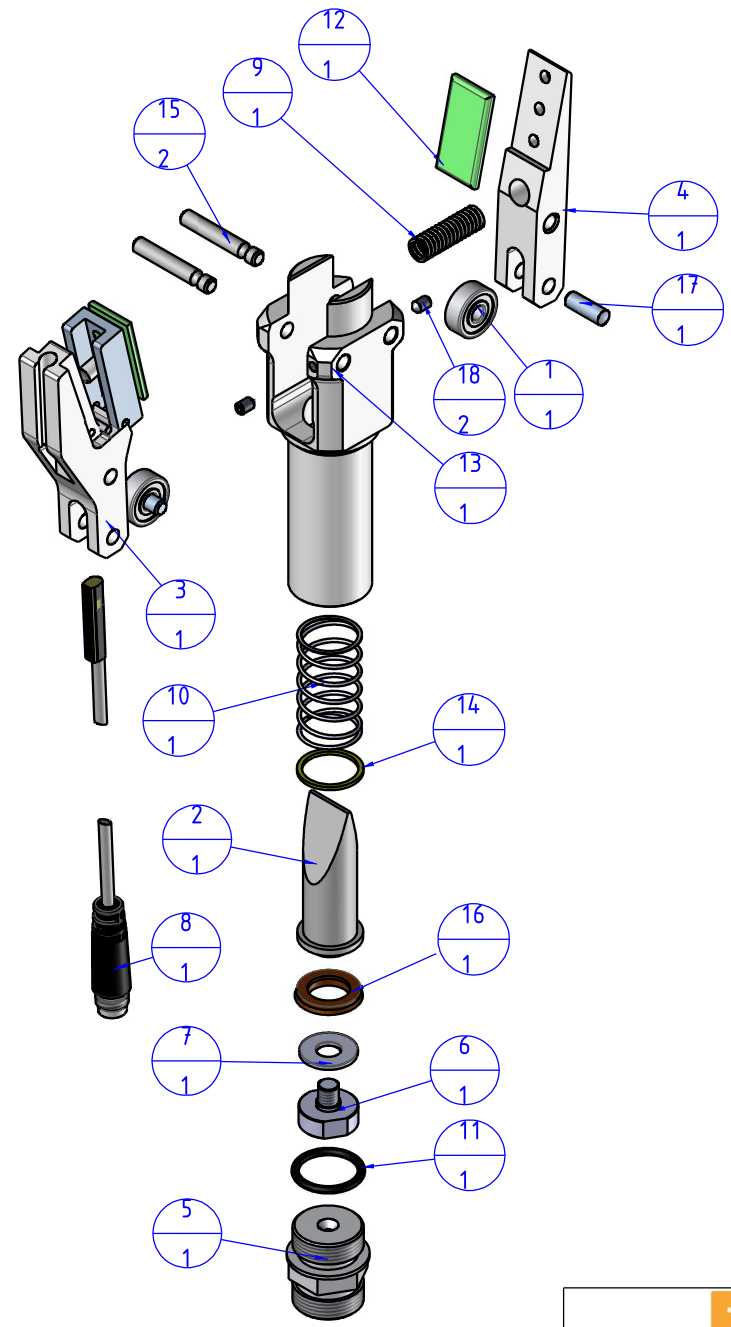



THE PROPERTY OF THE DRAWING IS ESTABLISHED BY LAW. IT IS FORBIDDEN TO PRODUCE OR SHOW IT TO THIRD PARTY WITHOUT A WRITTEN AGREEMENT.

Item	Name	Qty.
1	CUS.624.ZZ	1
2	DD.20.02	1
3	DD.20.16MP.02	1
4	DD.20.16P.02.1	1
5	GRF20.95.01	1
6	GRF20.95.03.2	1
7	GRF20.95.10	1
8	KT58PM8	1
9	M.6X35	1
10	M.GRF.2095.1	1
11	OR.2056	1
12	PAC.20.16P.03.V	1
13	PAC.2016.1	1
14	PAC.2016.2	1
15	PAC.2016.5	2
16	PSP.1610255	1
17	SP.4x12M6	1
18	V.STM3X5	2



Format A3
UNI 936-76

 FPS <small>FPSERVICES AUTOMATION</small>		DESIGNED FROM		REVIEW
		FPS Automation		A
GENERAL TOLERANCE		DATE		WEIGHT
UNI - ISO 2768		29/06/2022		0,117kg
CLASSE f		CODE		
		CA.PAC20.16SP		CA.PAC20.16SP